

Collinear Omni Antennas 2, 4.5, 6 dBi



Connector mount

Peak Antennas' **slimline omni** antennas are highly efficient, wideband, groundplane independent 1, 2, or 3 tier arrays of balanced centred collinear dipoles, housed in a rugged aesthetically pleasing fibreglass tube.

High Performance with consistent gain and radiation patterns across their wide operating bands results from a unique conical dipole and double isolating choke design preventing stray currents on the feed system.

The antennas are available in most frequency bands from 300 MHz to 8 GHz with a choice of mounting styles and connectors.

Connector Mount: The antenna is supported by means of its connector, usually type N or TNC male or female. SMA and reverse SMA are also available.

Flange Mount: The antenna has a through hole flange at the base for mounting (see drawing over). A stainless steel bracket and U bolts set it available to fit the flange (sold separately).

Flexi: The antenna is supported above the connector mount base machining by means of a stainless steel spring. The antenna can be bent over and will return to the upright position.

Mag-Mount: The antenna is supplied with a removable powerful magnetic base. RF connection is through an LMR 195 cable from the side of the antenna. Cable lengths up to 6 feet can be specified.



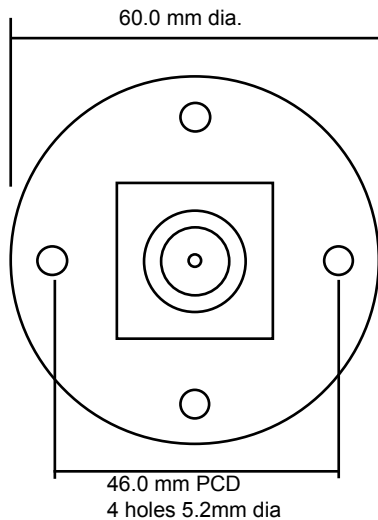
Flange mount, Flexi and Mag-mount

PEAK ANTENNAS

www.peakantennas.com

Peak Antennas LLC
200 Main St., Unit 3A
Monroe, CT 06468 USA
Tel/Fax: +1 203 268 3688
Email: MDPeakantennas@aol.com,
info@peakantennas.com

Collinear Omni Antennas 2, 4.5, 6 dBi



Flange dimensions

Note: A larger flange compatible with a Geneva Aviation / DartHelicopterService's articulated P162 antenna cross-tube mount (www.darthelicopterservices.com) is also available on request. See photo on QHO data sheet.



Rigid and Flexi omnis with TNC male.

Specifications:

Gain:	2, 4.5 or 6 dBi
Frequency:	See schedule
Elevation -3db B/W:	75, 35 or 27 degrees
Azimuth -3db B/W:	360 degrees (omni, no ripple)
Polarization:	Vertical
Return loss:	14db typical (1.5 to 1 VSWR)
Diameter (slimline):	0.7" (17 mm)
Length:	See schedule
Color:	White or Black (specify)
Connector:	N, TNC or SMA male or female
Radome:	Fibreglass
Mount:	Specify Connector mount, Flange mount, Mag-Mount or Flexi .



Applications:

Peak Antennas' slimline collinear omni antennas are in worldwide use in a variety of applications including:

- Fixed installations
- Wireless TV camera system
- Remote controlled robots
- Bodyworn
- Vehicles
- Airframes

Note: Also see our -XS (extra strength) collinear omni data sheet for extreme applications requiring extra impact resistance for flexural rigidity.

PEAK ANTENNAS

www.peakantennas.com

Peak Antennas LLC
200 Main St., Unit 3A
Monroe, CT 06468 USA
Tel/Fax: +1 203 268 3688
Email: MDPeakantennas@aol.com,
info@peakantennas.com

Collinear Omni Antennas 2, 4.5, 6 dBi

Description	Frequency	Gain	Elevation B/W	Length
CO34-2	325-350 MHz	2dBi	75 degrees	757mm/29.8"
CO42-2	390-440 MHz	2dBi	75 degrees	612mm/24.1"
CO44-2	425-465 MHz	2dBi	75 degrees	595mm/23.4"
CO63-2	590-660 MHz	2dBi	75 degrees	450mm/17.7"
CO64-2	600-680 MHz	2dBi	75 degrees	450mm/17.7"
CO80-2	760-840 MHz	2dBi	75 degrees	350mm/13.8"
CO110-2	1.0-1.2 GHz	2dBi	75 degrees	284mm/11.2"
CO110-4.5	1.0-1.2 GHz	4.5dBi	35 degrees	471mm/18.5"
CO125-6	1.2-1.3 GHz	6dBi	27 degrees	575mm/22.6"
CO130-2	1.2-1.4 GHz	2dBi	75 degrees	251mm/9.9"
CO130-4.5	1.2-1.4 GHz	4.5dBi	35 degrees	410mm/16.1"
CO140-2	1.3-1.5 GHz	2dBi	75 degrees	250mm/9.8"
CO150-2	1.4-1.6 GHz	2dBi	75 degrees	239mm/9.4"
CO150-4.5	1.4-1.6 GHz	4.5dBi	35 degrees	375mm/14.8"
CO180-2	1.7-1.9 GHz	2dBi	75 degrees	215mm/8.5"
CO180-4.5	1.7-1.9 GHz	4.5dBi	35 degrees	331mm/13.0"
CO178-6	1.71-1.85 GHz	6dBi	27 degrees	444mm/17.5"
CO194-2	1.71-2.17 GHz	2dBi	75 degrees	201mm/7.9"
CO194-4.5	1.71-2.17 GHz	4.5dBi	35 degrees	308mm/12.1"
CO205-4.5	1.98-2.11 GHz	4.5dBi	35 degrees	302mm/11.9"
CO205-6	1.98-2.11 GHz	6dBi	27 degrees	402mm/15.8"
CO225-2	1.98-2.50 GHz	2dBi	75 degrees	185mm/7.3"
CO225-4.5	1.98-2.50 GHz	4.5dBi	35 degrees	277mm/10.9"
CO235-2	2.0-2.7 GHz	2dBi	75 degrees	195mm/7.7" [NEW]
CO216-6	2.06-2.26 GHz	6dBi	27 degrees	390mm/15.3"
CO230-6	2.22-2.38 GHz	6dBi	27 degrees	377mm/14.8"
CO240-6	2.3-2.5 GHz	6dBi	27 degrees	349mm/13.7"
CO250-2	2.3-2.7 GHz	2dBi	75 degrees	172mm/6.8"
CO250-4.5	2.3-2.7 GHz	4.5dBi	35 degrees	252mm/9.9"
CO260-6	2.5-2.7 GHz	6dBi	27 degrees	315mm/12.4"
CO330-2	3.1-3.5 GHz	2dBi	75 degrees	158mm/6.2"
CO330-4.5	3.1-3.5 GHz	4.5dBi	35 degrees	218mm/8.6"
CO330-6	3.15-3.45 GHz	6dBi	27 degrees	278mm/10.9"
CO350-2	3.3-3.7 GHz	2dBi	75 degrees	154mm/6.1"
CO350-4.5	3.3-3.7 GHz	4.5dBi	35 degrees	212mm/8.3"
CO470-4.5	4.4-5.0 GHz	4.5dBi	35 degrees	179mm/7.0"
CO520-6	5.0-5.3 GHz	6dBi	27 degrees	214mm/8.4"
CO560-4.5	5.2-5.9 GHz	4.5dBi	35 degrees	165mm/6.5"
CO580-4.5	5.6-6.0 GHz	4.5dBi	35 degrees	162mm/6.4"
CO580-6	5.6-5.0 GHz	6dBi	27 degrees	197mm/7.8"
CO640-4.5	5.7-7.1 GHz	4.5dBi	35 degrees	152mm/6.0"
CO655-6	6.4-6.7 GHz	6dBi	27 degrees	182mm/7.2"
CO675-4.5	6.4-7.1 GHz	4.5dBi	35 degrees	152mm/6.0"
CO695-6	6.8-7.12 GHz	6dBi	27 degrees	182mm/7.2"
CO705-4.5	6.5-7.4 GHz	4.5dBi	35 degrees	152mm/6.0"
CO740-4.5	7.1-7.7 GHz	4.5dBi	35 degrees	146mm/5.7"

Dual band collinear omni

Designation	Frequency	Gain	Elevation B/W	Length
CO235-2/470-2	2.2-2.5/4.4-5.0 GHz	2/2dBi	75 degrees	185mm/7.1"

Note: Flexi versions are 40 mm (1.6") longer than standard dimensions shown above.

Please ask us if your application requires a frequency band not listed here.

PEAK ANTENNAS

www.peakantennas.com

Peak Antennas LLC
 200 Main St., Unit 3A
 Monroe, CT 06468 USA
 Tel/Fax: +1 203 268 3688
 Email: MDPeakantennas@aol.com,
 info@peakantennas.com