

Collinear Omni Antennas 8, 11 dBi



CO205-11

Peak Antennas' high gain omni antennas comprise co-phased arrays of four or eight vertically polarized radiating elements to provide omnidirectional azimuth coverage with a high gain, narrow elevation beam.

The planar printed circuit design features a unique system for maintaining consistent amplitude and phase at each radiating element tier, thereby achieving consistent high performance across the operating band. Planar compensating elements parallel to the main circuit board ensure a +/- 1 dB azimuth ripple in the omni pattern.

The antennas are housed in robust fiberglass tubes, and feature an enhanced dual barrier water-seal at the top, comprising an aluminum alloy overcap RTV'ed over a delrin top cap that is glued into the tube. There is a breathe hole in the base.

A stainless steel bracket and U bolts are provided for mounting.

All the antennas feature:

Gain:	8 or 11 dBi
Frequency:	See schedule over
Elevation B/W:	18 or 9 degrees
Azimuth B/W:	360 degrees (omni, +/- 1dB ripple)
Polarization:	Vertical
Return loss:	14 dB typical (1.5 to 1 VSWR)
Diameter:	See schedule over
Length:	See schedule over
Color:	White, gray or black
Connector:	N Female
Mount	Stainless steel bracket and U bolts included



CO655-11

PEAK ANTENNAS

www.peakantennas.com

Peak Antennas LLC
200 Main St., Unit 3A
Monroe, CT 06468 USA
Tel/Fax: +1 203 268 3688
Email: MDPeakantennas@aol.com,
info@peakantennas.com

Collinear Omni Antennas 8, 11 dBi

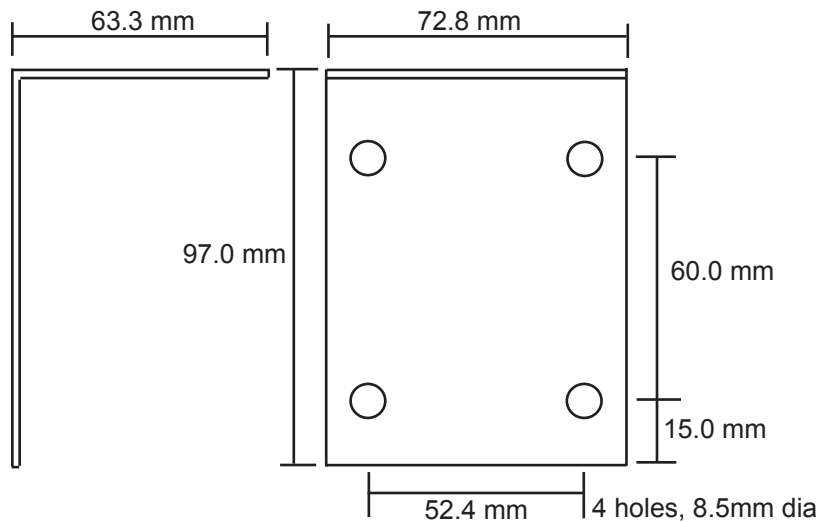
Designation	Frequency	Gain	Elevation B/W	Diameter	Length
CO150-8	1.40-1.60 GHz	8 dBi	18 degrees	83mm/3.25"	700mm/27.5"
CO180-8	1.71-1.89 GHz	8 dBi	18 degrees	73mm/2.87"	681mm/26.8"
CO205-5	1.98-2.11 GHz	8 dBi	18 degrees	67mm/2.625"	600mm/23.6"
CO215-8	2.0-2.3 GHz	8 dBi	18 degrees	67mm/2.625"	557mm/21.9"
CO235-8	2.20-2.50 GHz	8 dBi	18 degrees	67mm/2.625"	510mm/20.1"
CO250-8	2.30-2.70 GHz	8 dBi	18 degrees	67mm/2.625"	500mm/19.7"
CO350-8	3.30-3.70 GHz	8 dBi	18 degrees	54mm/2.125"	370mm/14.6"
CO380-8*	3.70-3.90 GHz	8 dBi	18 degrees	35mm/1.375"	348mm/13.7"
CO470-8*	4.40-5.00 GHz	8 dBi	18 degrees	27mm/1.06"	316mm/12.4"
CO495-8*	4.80-5.10 GHz	8 dBi	18 degrees	27mm/1.06"	316mm/12.4"
CO615-8*	5.70-6.60 GHz	8 dBi	18 degrees	24mm/0.94"	285mm/11.2"
CO655-8*	6.40-6.70 GHz	8 dBi	18 degrees	24mm/0.94"	285mm/11.2"
CO740-8*	7.10-7.70 GHz	8 dBi	18 degrees	21mm/0.81"	188mm/7.4"
CO150-11	1.40-1.60 GHz	11 dBi	9 degrees	83mm/3.25"	1254mm/49.0"
CO180-11	1.71-1.89 GHz	11 dBi	9 degrees	73mm/2.87"	1213mm/47.8"
CO205-11	1.98-2.11 GHz	11 dBi	9 degrees	67mm/2.625"	1065mm/41.9"
CO220-11	2.0-2.4 GHz	11 dBi	9 degrees	67mm/2.625"	1003mm/39.5"
CO235-11	2.20-2.50 GHz	11 dBi	9 degrees	67mm/2.625"	916mm/36.1"
CO250-11	2.30-2.70 GHz	11 dBi	9 degrees	67mm/2.625"	884mm/34.8"
CO350-11	3.30-3.70 GHz	11 dBi	9 degrees	54mm/2.125"	645mm/25.4"
CO380-11*	3.70-3.90 GHz	11 dBi	9 degrees	35mm/1.375"	614mm/24.2"
CO470-11*	4.40-5.00 GHz	11 dBi	9 degrees	27mm/1.06"	520mm/20.5"
CO495-11*	4.80-5.10 GHz	11 dBi	9 degrees	27mm/1.06"	520mm/20.5"
CO525-11*	5.1-5.4 GHz	11 dBi	9 degrees	27mm/1.06"	458mm/18.0"
CO655-11*	6.40-6.70 GHz	11 dBi	9 degrees	24mm/0.94"	412mm/16.2"
CO700-11*	6.8-7.2 GHz	11 dBi	9 degrees	21mm/0.81"	350mm/13.8"
CO740-11*	7.10-7.70 GHz	11 dBi	9 degrees	21mm/0.81"	350mm/13.8"

Please ask us if your application requires a frequency band not listed here.

Medium Standard Bracket

U Bolts fit pole diameters up to 45 mm (1.77")

Note that antennas marked with * are supplied with Small Standard Bracket, see Compact Sector Antenna data sheet for dimensions.



PEAK ANTENNAS

www.peakantennas.com

Peak Antennas LLC
 200 Main St., Unit 3A
 Monroe, CT 06468 USA
 Tel/Fax: +1 203 268 3688
 Email: MDPeakantennas@aol.com,
 info@peakantennas.com