

Extra Strength (XS) Collinear Omni Antennas 2, 4.5, 6



Peak Antennas' XS vertically polarized omni antennas are designed for applications requiring extra strength, particularly for vehicle roof applications (to withstand tree branch impacts) and for fixed-wing aircraft installations (to withstand higher windspeeds than helicopter operation).

These collinear antennas compliment Peak's slimline omni antenna range, similarly featuring highly efficient, wideband groundplane independent 1,2 and 3 tier arrays of balanced centre-fed collinear dipoles.

For mechanical comparison, the XS radomes are 41 mm OD with 1.6 mm walls, whereas the slimline radomes are 17.5 mm OD with 0.8 mm walls. All radomes are made of GFRP (fibreglass).

High performance with consistent gain and radiation patterns across their wide operating bands results from a unique conical dipole and double isolating choke design preventing stray currents on the feed system.

All the antennas feature:

Gain:	2, 4.5 or 6 dBi
Frequency:	See schedule over
Elevation B/W:	75, 35 or 27 degrees
Azimuth B/W:	360 degrees (omni, no ripple)
Polarization:	Vertical
Return loss:	14db typical (1.5 to 1 VSWR)
Diameter:	1.625" (41 mm)
Length:	See schedule over
Color:	White or Black (specify)
Connector:	N or SMA female
Mount:	Through hole flange

PEAK ANTENNAS

www.peakantennas.com

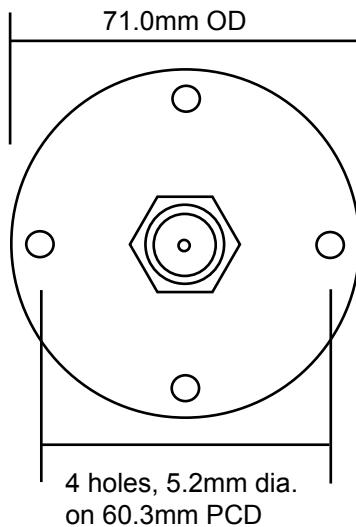
Peak Antennas LLC
200 Main St., Unit 3A
Monroe, CT 06468 USA
Tel/Fax: +1 203 268 3688
Email: MDPeakantennas@aol.com,
info@peakantennas.com

Extra Strength (XS) Collinear Omni Antennas 2, 4.5, 6

Designation	Frequency	Gain	Elevation B/W	Length
CO34-4.5-XS	330-350 MHz	4.5dBi	35 degrees	1,353mm/53.3"
CO35-4.5-XS	330-370 MHz	4.5dBi	35 degrees	1,275mm/50.2"
CO39-4.5-XS	380-400 MHz	4.5dBi	35 degrees	1,190mm/46.9"
CO45-5-XS	430-470 MHz	4.5dBi	35 degrees	1,001mm/39.4"
CO80-4.5-XS	760-840 MHz	4.5dBi	35 degrees	630mm/24.8"
CO80-6-XS	785-815 MHz	6dBi	27 degrees	885mm/34.8"
CO130-4.5-XS	1.2-1.4 GHz	4.5 dBi	35 degrees	410mm/16.1"
CO205-6-XS	1.98-2.11 GHz	6dBi	27 degrees	402mm/15.8"
CO225-4.5-XS	1.98-2.50 GHz	4.5dBi	35 degrees	260mm/10.2"
CO220-6-XS	2.0-2.2 GHz	6dBi	27 degrees	350mm/13.8"
CO230-6-XS	2.20-2.40 GHz	6dBi	27 degrees	305mm/12.0"
CO240-6-XS	2.30-2.50 GHz	6dBi	27 degrees	305mm/12.0"
CO250-4.5-XS	2.30-2.70 GHz	4.5dBi	35 degrees	242mm/9.5"
CO330-4.5-XS	3.10-3.50 GHz	4.5dBi	35 degrees	217mm/8.5"
CO340-4.5-XS	3.2-3.6 GHz	4.5dBi	35 degrees	215mm/8.5"
CO350-4.5-XS	3.3-3.7 GHz	4.5dBi	35 degrees	212mm/8.3"

Please ask us if your application requires a frequency band not listed here.

Note: Single tier 2 dBi gain, -2-XS versions, with wider (75 degrees) elevation beamwidths are available for all the above listed frequency bands.



Flange dimensions:

Note: A larger flange compatible with a Geneva Aviation/ DartHelicopterServices articulated P162 antenna cross-tube mount (www.darthelicopterservices.com) is also available on request. See photo on QHO data sheet.

PEAK ANTENNAS

www.peakantennas.com

Peak Antennas LLC
 200 Main St., Unit 3A
 Monroe, CT 06468 USA
 Tel/Fax: +1 203 268 3688
 Email: MDPeakantennas@aol.com,
 info@peakantennas.com