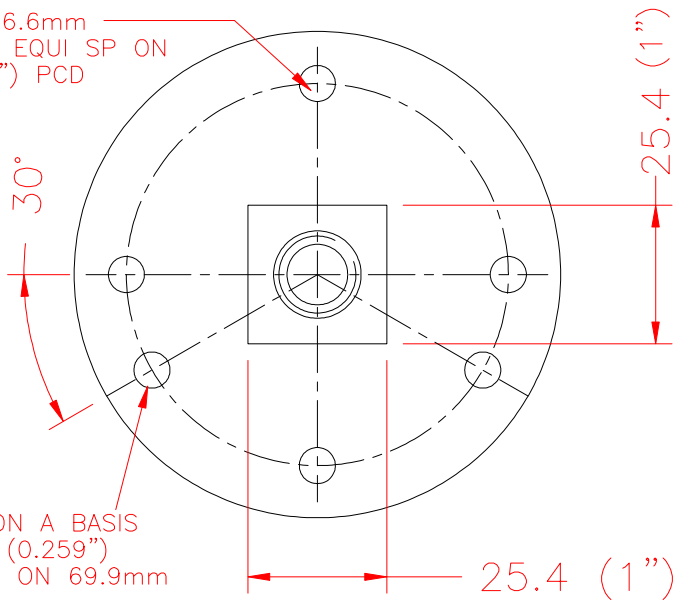


4 OFF HOLES  $\phi 6.6\text{mm}$   
 (0.259") THRO', EQUI SP ON  
 69.9mm (2.750") PCD



2 OFF HOLES ON A BASIS  
 OF 3,  $\phi 6.6\text{mm}$  (0.259")  
 THRO', EQUI SP ON 69.9mm  
 (2.750") PCD

TOLERANCES ( UNLESS STATED )		REV.	DESCRIPTION	DATE	INIT
IMPERIAL					
FRACTIONS	+/- 1/64	DRG. No	TITLE	DRAWN	M. DAWSON
. XX	+/- 0.010			SCALE	N.T.S.
. XXX	+/- 0.005			DATE	Dec. '10
. XXXX	AS STATED			CHECKED	
METRIC		CO470-4.5-S1	CO470-4.5-S1 COLLINEAR OMNI ANTENNA (GENEVA BRACKET COMPATIBLE)		
X.	+/- 0.40	REVN 1	MAT' L:		
. X	+/- 0.20				
. XX	+/- 0.10				
. XXX	+/- AS STATED				