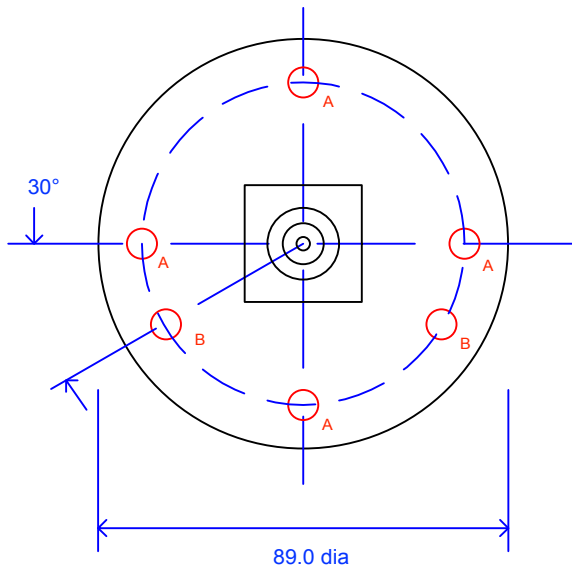


4 holes, A, 6.6 mm dia
equispaced on 69.9 PCD.

2 holes, B, 6.6 mm dia,
oriented as shown.

-S1 version has flange compatible with Geneva
Aviation / Dart Helicopter
Services articulated P162 cross-tube mount.

L is length shown on
data sheet list.



COXXX-Y-FF-S1

Dims: mm	Outline Drawing
Tols:	
Scale: 1:1.67	Drawn by:
2016	Peak Antennas LLC