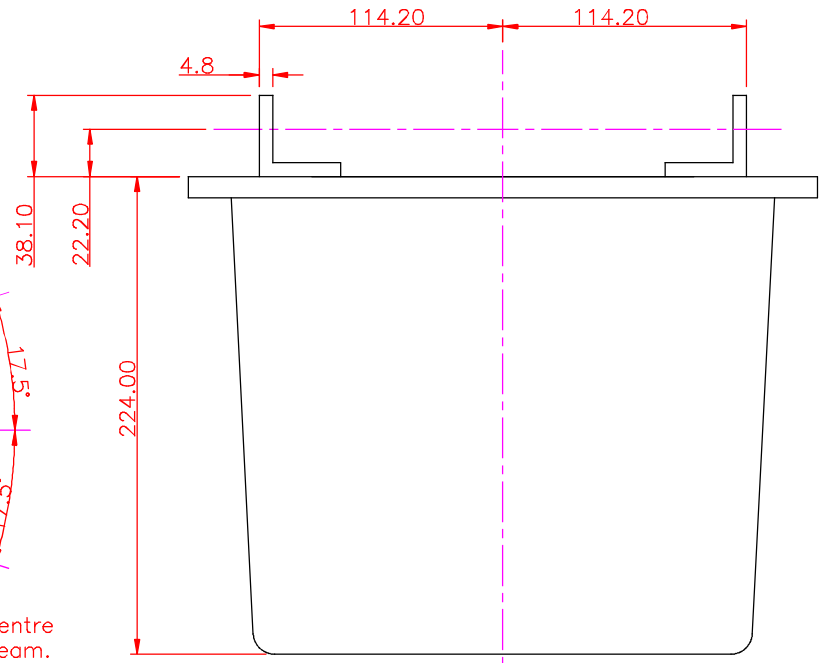


SIDE ELEVATION

Point 'P' is phase centre of typical azimuth beam. Elevation radiation pattern b/w is 35° (-3dB points).



FRONT ELEVATION

TITLE : PA8 OUTLINE
 DRG # :
 PEAK ANTENNAS LLC