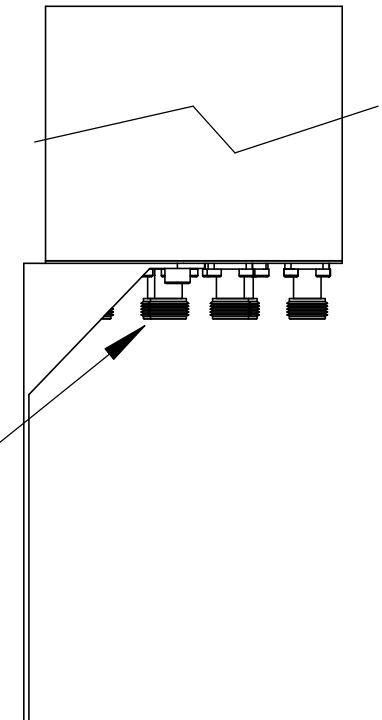
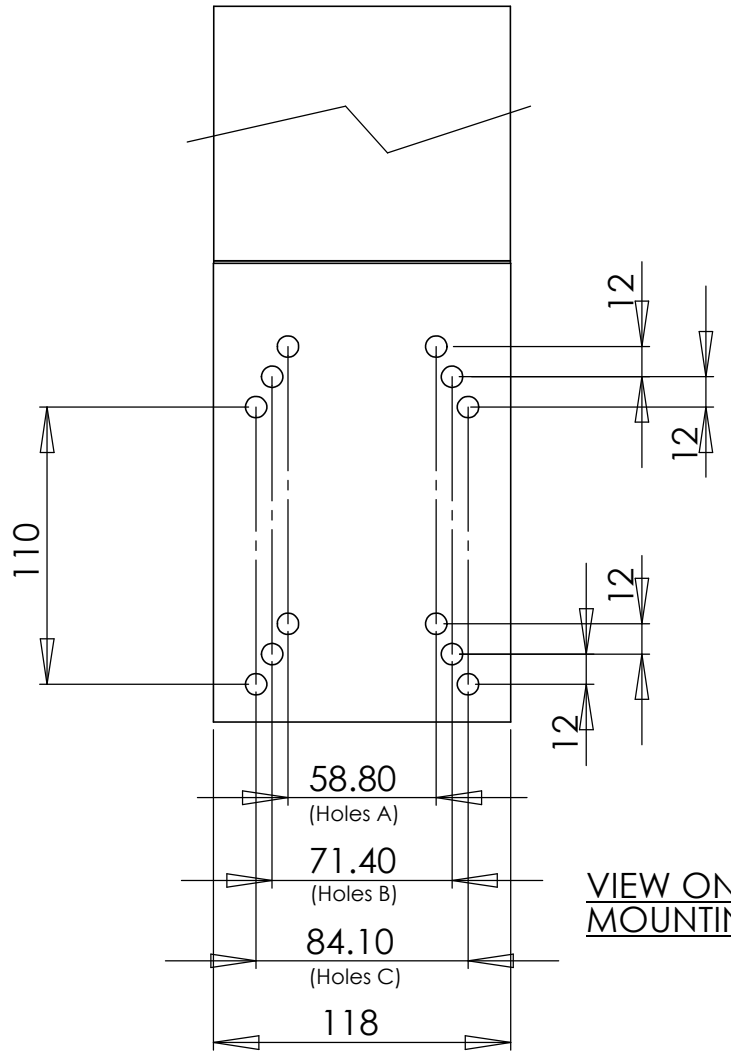


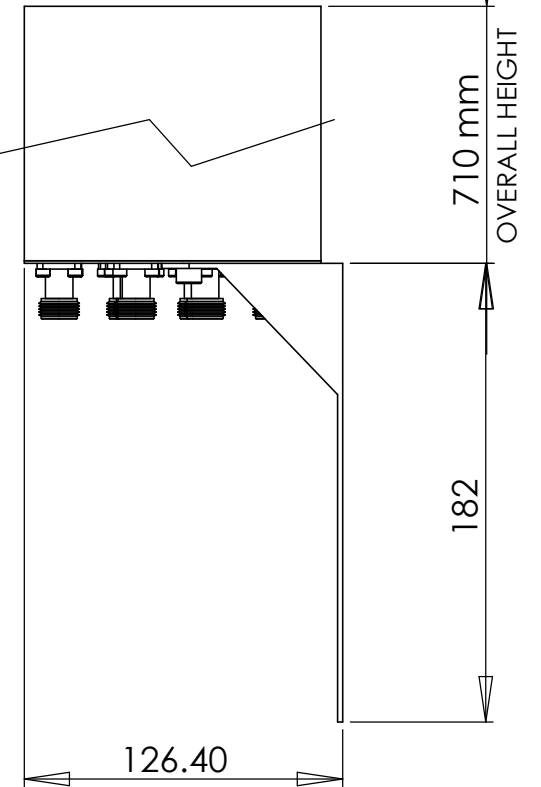
8 OFF N TYPE FEMALE CONNECTORS



LEFT ELEVATION



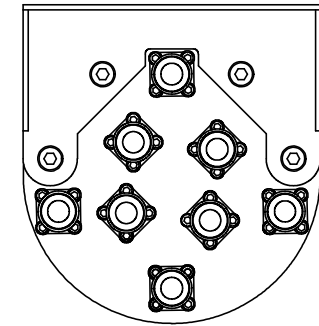
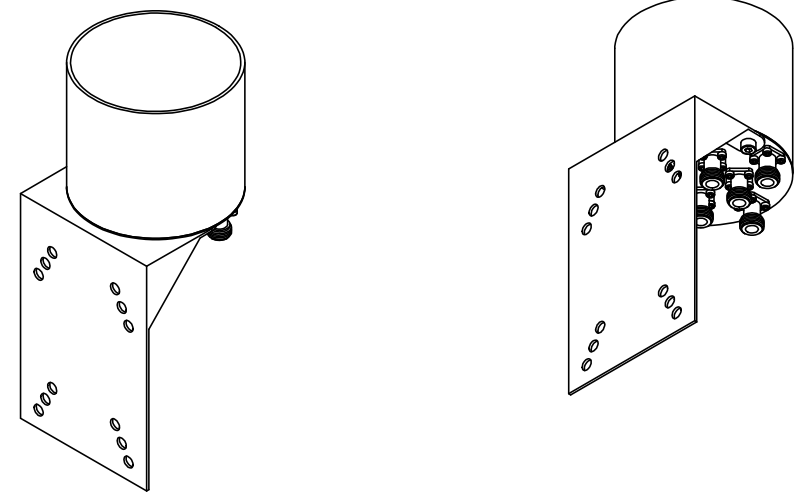
VIEW ON REAR MOUNTING FACE



RIGHT ELEVATION

NOTES

- 4 HOLES A : DIA 8.5mmTHRO'
TO SUIT McMaster-Carr U-Bolt Part # 8896T73
- 4 HOLES B : DIA 8.5mmTHRO'
TO SUIT McMaster-Carr U-Bolt Part # 8896T74
- 4 HOLES C : DIA 8.5mmTHRO'
TO SUIT McMaster-Carr U-Bolt Part # 8896T75



VIEW ON UNDERSIDE

UNLESS OTHERWISE SPECIFIED: DIMENSIONS ARE IN MILLIMETERS		FINISH: As per Individual component drawings		DEBUR AND BREAK SHARP EDGES		DO NOT SCALE DRAWING		REVISION	
SURFACE FINISH:						TITLE: PEAK Antennas LLC			
TOLERANCES:									
LINEAR:									
ANGULAR:									
DRAWN		NAME		SIGNATURE		DATE			
CHK'D									
APPV'D									
MFG									
Q.A									
						MATERIAL: As per Individual component drawings		DWG NO. Dual_QSA_Assy	
						WEIGHT:		SCALE:1:5	
								SHEET 1 OF 1	

A3